

# Melt Pressure Gauge

Model: PT124Y-614 (Flexible stem)



## Description

PT124Y-614 adopts the original packaging machine stamen, and designed with all stainless steel structure, isolated diaphragm and local index display. With dial plate's stem-up and stem-down versions, the gauge head can be rotated 360° for unobstructed viewing.

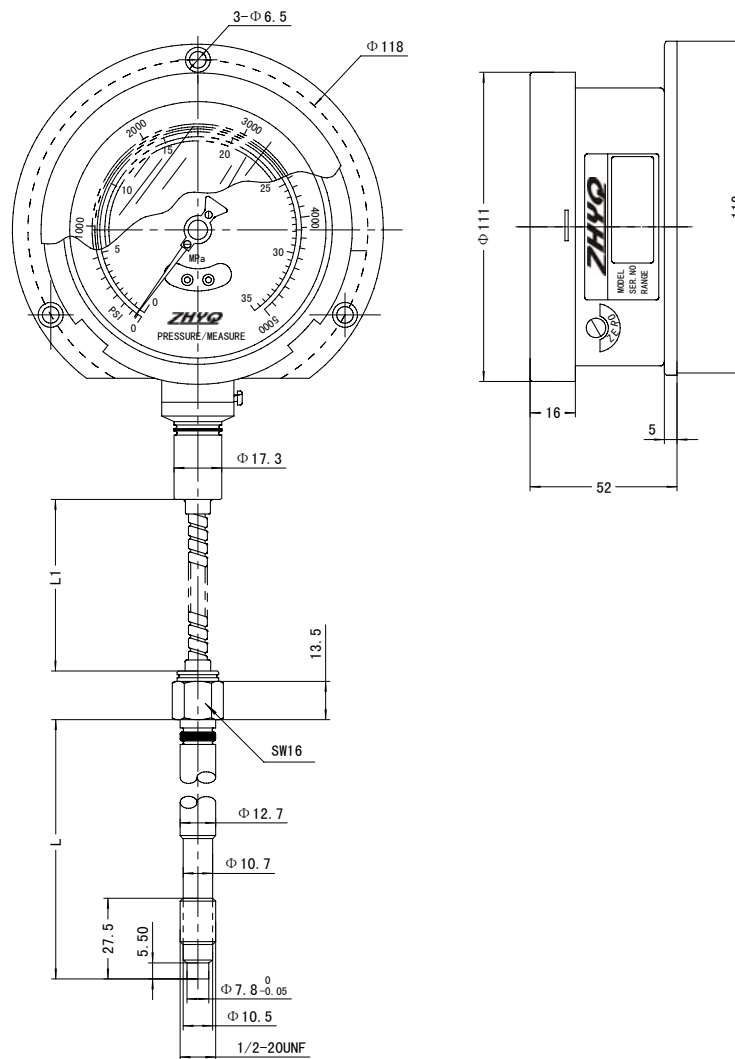
## Application

- ◆ Chemical fiber and filature
- ◆ Rubber & plastic machinery
- ◆ The equipment of high temperature steam

## Feature

- ◆ Direct local reading design
- ◆ Customer defined pressure gauge
- ◆ Install easily, high reliability
- ◆ Zero adjustment

## Dimension



PT124Y-614

## Specification

|                           |   |
|---------------------------|---|
| Range                     | 0....1MPa to 0....150MPa                |
| Accuracy                  | ±1.6%FS                                 |
| Configuration             | Bourdon tube                            |
| Over Pressure             | 1.5×FS                                  |
| Max Diaphragm Temperature | 350℃                                    |
| Dial Diameter             | 100mm                                   |
| Flexible Length           | 0.5.....5M                              |
| Process Connection        | 1/2"-20UNF, M14×1.5, M18×1.5 (Optional) |

## Mounting hole

|                         |    |         |         |           |         |
|-------------------------|----|---------|---------|-----------|---------|
| <p>Planar Sealed</p>    | D1 | M22×1.5 | M28×1.5 | G3/4"     | PT3/8"  |
|                         | D2 | Φ 16.1  | Φ 18.3  | Φ 18.3    | Φ 10.3  |
|                         | D3 | Φ 20.1  | Φ 26.1  | Φ 24.2    | Φ 14.9  |
|                         | M  | Φ 23    | Φ 30    | Φ 21      | Φ 11    |
|                         | A  | 11      | 12      | 12        | 14      |
|                         | B  | 12      | 15      | 15        | 19      |
|                         | C  | 40      | 35      | 35        | 40      |
| <p>45° Slope Sealed</p> | D1 | M12×1.5 | M14×1.5 | 1/2-20UNF | M18×1.5 |
|                         | D2 | Φ 8     | Φ 8     | Φ 8       | Φ 10.1  |
|                         | D3 | Φ 10.8  | Φ 12.5  | Φ 11.5    | Φ 16.1  |
|                         | D4 | Φ 12.5  | Φ 14.5  | Φ 13.1    | Φ 20    |
|                         | A  | 6       | 6       | 6         | 6.5     |
|                         | B  | 9       | 9.5     | 9.5       | 10      |
|                         |    |         |         |           |         |

## Ordering Guide

| Model                                       | Range | Output | Rigid &Flexible length | Process connection | Other requirement |
|---|-------|--------|------------------------|--------------------|-------------------|
| PT124Y-614                                  | ---   | none   | ---                    | ---                | ---               |
| Example: PT124Y-614-350Bar-6"/18"-1/2-20UNF |       |        |                        |                    |                   |

## Shanghai Zhaohui Pressure Apparatus Co.,Ltd

5-6F No.8 Building No.115 ,Lane 1276 Nanle Road,  
 Songjiang District Shanghai 201600 China  
 Tel: +86-21-51691919 67755189 Fax:+86-21-67755185  
 E-mail: info@zhyqsensor.com  
 www.zhyqsensor.com

