

Absolute / gauge pressure transmitter

Model: PT124B-3507



Description

The high performance absolute and gauge pressure transmitter PT124B-3507G and PT124B-3507A feature single crystal silicon resonant sensor and are suitable to measure liquid, gas, or steam pressure. EJX510A and EJX530A output a 4 to 20mA DC signal corresponding to the measured pressure. It also features quickly response, remote setup and monitoring via HART communications, diagnostics, and optional status output for pressure high/low alarm. The multi-sensing technology provides the advanced diagnostic function to detect such abnormalities as an impulse line blockage or heat trace breakage. FOUNDATION Fieldbus protocol type is also available.

Feature

- Adopts FST mono crystalline silicon MEMS chip to encapsulate
- Accuracy +/-0.075% , Error less than +/-0.1%/10MPa
- Advanced stability and static pressure performance
- Excellent overload performance
- Suitable for negative pressure measurement
- Intelligent static pressure and temperature compensation
- Internal integrated high sensitivity temperature transducer
- Perfect thermal drift
- All SS316L welding sealed construction with silicon filled
- Fast response time

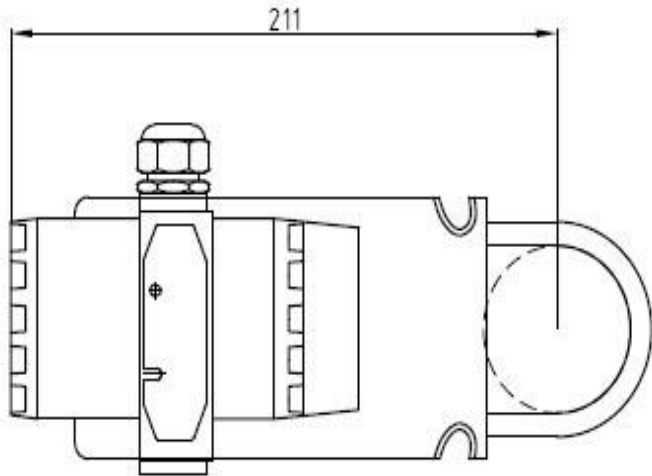


Specification

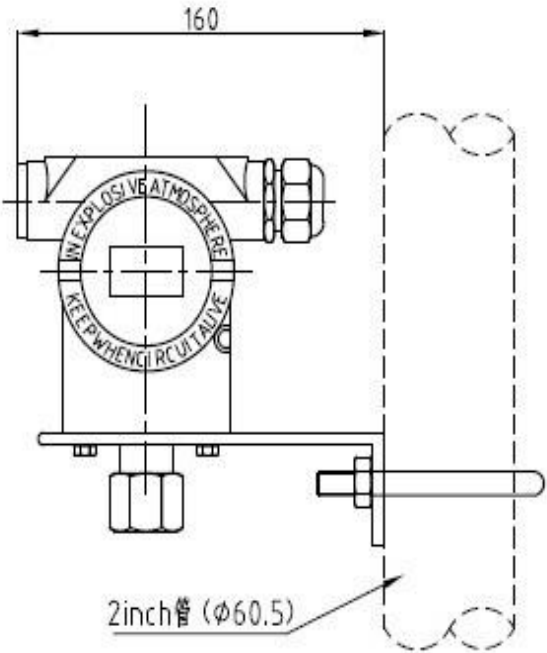
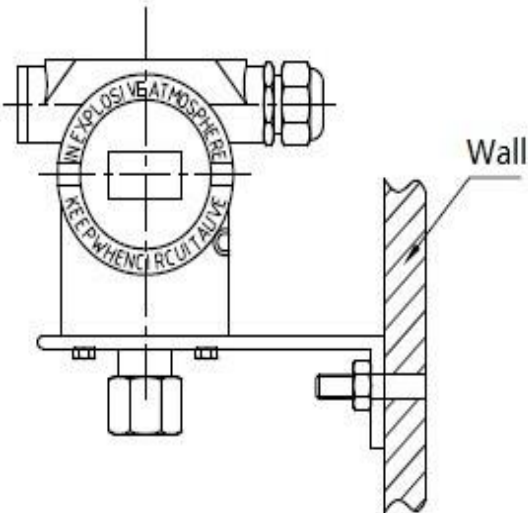
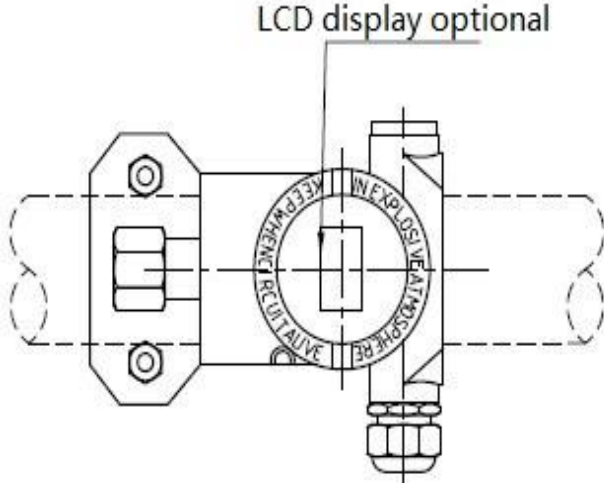
| Item | Specification |
|--------------------------------------|---|
| Medium | Gas, steam, liquid |
| Measurement range (Non migration) | 0-0.6KPa-20Mpa |
| Accuracy | +/-0.075%, +/-0.1% |
| Wetted parts material | SS316L, Hastelloy C |
| Output | 2-wire 4-20mA, HART communication optional, linear output or square root output available |
| Ambient temperature limited | -40~85°C -20~65°C (with LCD display, fluorine rubber O-ring) |
| Protection grade | IP67 |
| Electrical connector | M20*1.5 cable sealing buckle, terminal suitable for 0.5-2.5mm ² cable |
| Process connector | Standard 1/2NPT female, with 1/2NPT, G1/2 and M20*1.5, KF16 vacuum interface available |
| Mounting position effect | Rotation in diaphragm plane has no effect. Tilting up to 90° will cause zero shift up to 0.25KPa for range C, and 0.15KPa for other range, which can be corrected by the zero adjustment. |

Dimensions

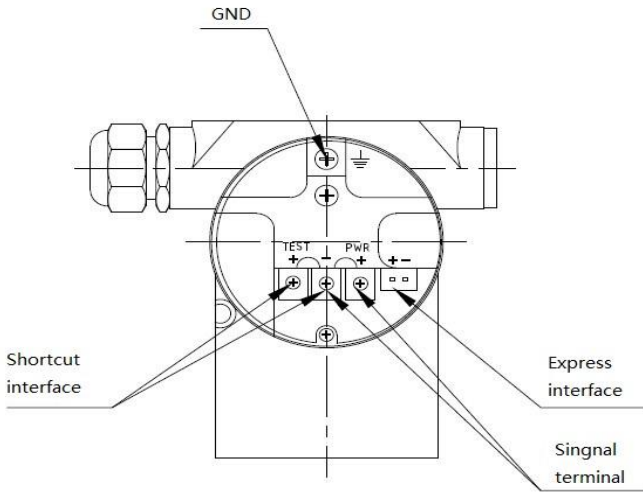
Horizontal tube connection (side face)



Horizontal tube connection (front)

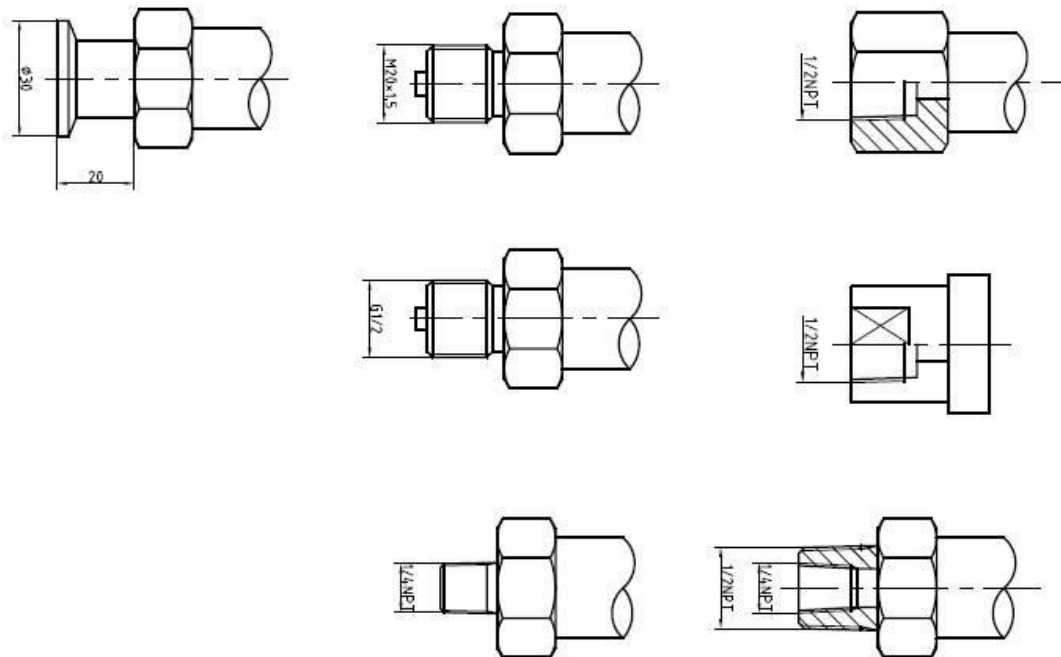


Wiring connector



| PIN | 2-wire | 3-wire |
|-------|--------|--------|
| PWR+ | P+ | P+ |
| PWR- | P- | P- |
| TEST+ | | S- |

Process connector



Ordering Guide

| Model | Range | Output | Screw Thread | connection | Other requirement |
|--|-------|--------|--------------|------------|-------------------|
| PT124B-3507 | --- | --- | --- | --- | --- |
| Example: PT124B-3507-10bar-4/20mA-1/2NP F-M20*1.5 cable sealed | | | | | |

Shanghai Zhaohui Pressure Apparatus Co.,Ltd

5-6F No.8 Building No.115 ,Lane 1276 Nanle Road Songjiang District Shanghai 201600 China
 Tel:+86-21-51691919 67755189 Fax:+86-21-67755185
 E-mail: info@zhyqsensor.com
 www.zhyqsensor.com

