

Melt Pressure Transmitter

Model: PT124B-129 (with LCD display)



Description

PT124B-129 Series Intelligent Melt Pressure Transducer (Flexible stem) is a high-accuracy and high-stability pressure instrument designed by digital circuit compensation technology with LCD display and explosion-proof housing, it's specially used in the occasion of 4~20 mA (2 wire) with Hart protocol optional. It is used in the equipment of chemical fiber, polyester, and other pressure measuring and controlling of melt fluid medium.

Application

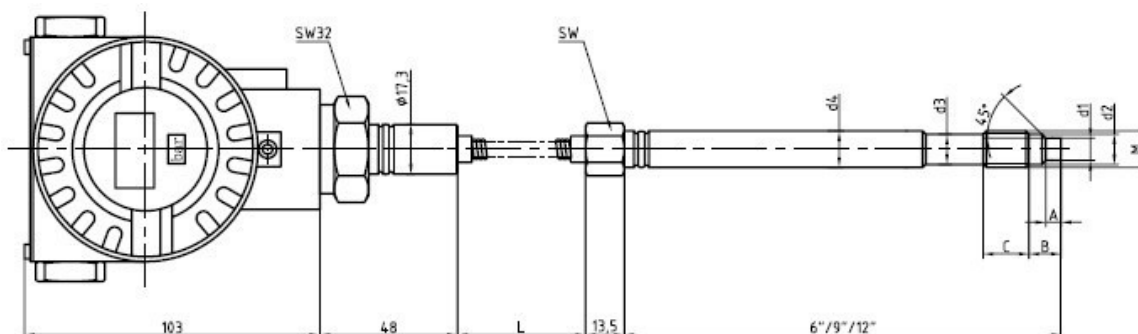
- ◆ Chemical fiber equipment
- ◆ Plastic extruder equipment
- ◆ Polyester equipment
- ◆ Other pressure measurement and Control

Feature

- ◆ High-standard quality
- ◆ Explosion-proof housing ,
- ◆ With LED Local display
- ◆ Simple installation
- ◆ Internal 80% calibration
- ◆ Excellent stability and repeatable



Dimension



Specification

Range:	0...1MPa to 0...150MPa
Output:	4~20mA; HART
Accuracy:	±0.25%FS; ±0.5%FS
Input voltage:	24 (12~36) VDC
Repeatability:	±0.2%
Construction:	Wheatstone bridge
Bridge resistance:	350 ohms±10%
Overload pressure:	1.5×FSO
Internal calibration:	80%±1%
Insulation Resistance:	1000Megohms @50Vdc
Max. Diaphragm Temp:	0~400℃
Electric connector:	wiring terminal
Process connector:	1/2"-20UNF, M14×1.5, M18×1.5 (Option)

Mounting Hole

<p>Planar Sealed</p>	D1	M22×1.5	M28×1.5	G3/4"	PT3/8"
	D2	Φ16.1	Φ18.3	Φ18.3	Φ10.3
	D3	Φ20.1	Φ26.1	Φ24.2	Φ14.9
	M	Φ23	Φ30	Φ21	Φ11
	A	11	12	12	14
	B	12	15	15	19
	C	40	35	35	40
<p>45° Slope Sealed</p>	D1	M12×1.5	M14×1.5	1/2-20UNF	M18×1.5
	D2	Φ8	Φ8	Φ8	Φ10.1
	D3	Φ10.8	Φ12.5	Φ11.5	Φ16.1
	D4	Φ12.5	Φ14.5	Φ13.1	Φ20
	A	6	6	6	6.5
	B	9	9.5	9.5	10

Ordering Guide

Model	Range (bar)	Output	Screw Thread	Rigid/Flexible Length	Electric connection	Accuracy	Others
PT124B-129	---	---	---	---	---	---	---
Example: PT124B-129-500Bar-4-20mA-1/2-20UNF-6/18"-0.5%FS							

Shanghai Zhaohui Pressure Apparatus Co., Ltd

5-6F No.8 Building No.115 ,Lane 1276 Nanle Road Songjiang District Shanghai 201600 China
 Tel:+86-21-51691919 67755189 Fax:+86-21-67755185
 E-mail: info@zhyqsensor.com
 www.zhyqsensor.com

