

BP1010 Rupture Disks

BP1010 Rupture Disks Burst plug

Features

- Standard burst pressure range
- Protection over wide pressure range
- Simple, intrinsically safe design
- Accuracy of +/-5%
- Up to 400°C (750°F) melt temperatures



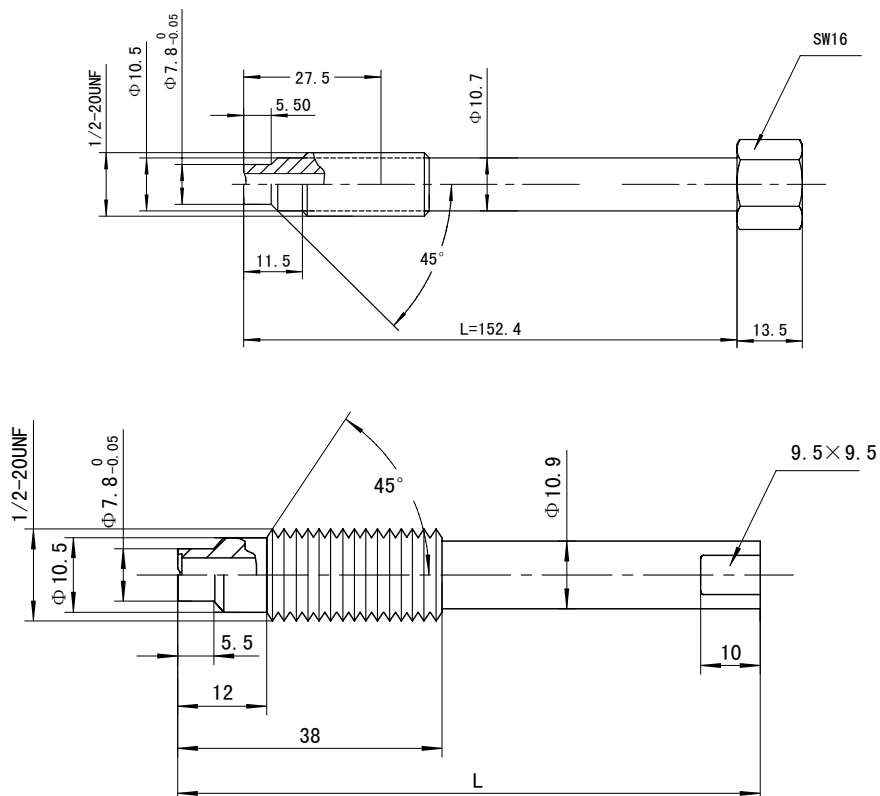
Description

BP1010 Series melt pressure rupture disks adopts robust sensing element, low installation and maintenance costs, designed for extrusion applications of reliable emergency relief of excess pressure since they instantaneously rupture at a specific predetermined pressure range.

Specification

- Ranges:** 3500psi, 5500psi, 7500psi, 9500psi or customized
- Combined error:** ±5%FS
- Maximum diaphragm temperature:** 400°C (750°F)
- Explosion protection:** Exia II CT4
- Process connection:** 1/2"-20UNF, M18*1.5, M14*1.5 or customized

Dimensions



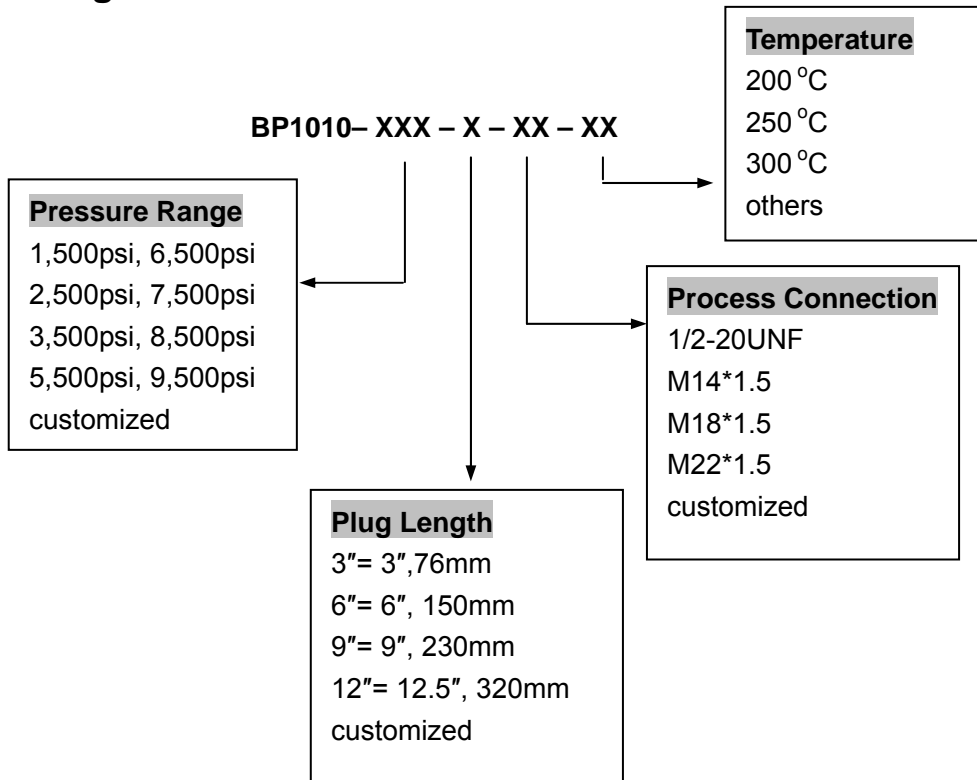
Dimensions and ordering guide

ZHYQ Shanghai Zhaohui Pressure Apparatus co.,Ltd. Tel:+86-21-1691919 Fax:+86-21-67755185

● Dimensions

<p style="text-align: center;">Planar sealed</p>	D1	M22*1.5	M28*1.5	G3/4"	PT3/8"
	D2	Φ16.1	Φ18.3	Φ18.3	Φ10.3
	D3	Φ20.1	Φ26.1	Φ24.2	Φ14.9
	M	Φ23	Φ30	Φ21	Φ11
	A	11	12	12	14
	B	12	15	15	19
	C	40	35	35	40
<p style="text-align: center;">45° Slope sealed</p>	D1	M12*1.5	M14*1.5	1/2-20UNF	M18*1.5
	D2	Φ8	Φ8	Φ8	Φ10.1
	D3	Φ10.8	Φ12.5	Φ11.5	Φ16.1
	D4	Φ12.5	Φ14.5	Φ13.1	Φ20
	A	6	6	6	6.5
	B	9	9.5	9.5	10

● Ordering Guide



Example: BP1010-6"-1/2-20UNF-300 °C

Pressure range as customers required (0-10bar-2000bar Optional), accuracy maybe affected if non-standard are used. For additional-options please consult factory.